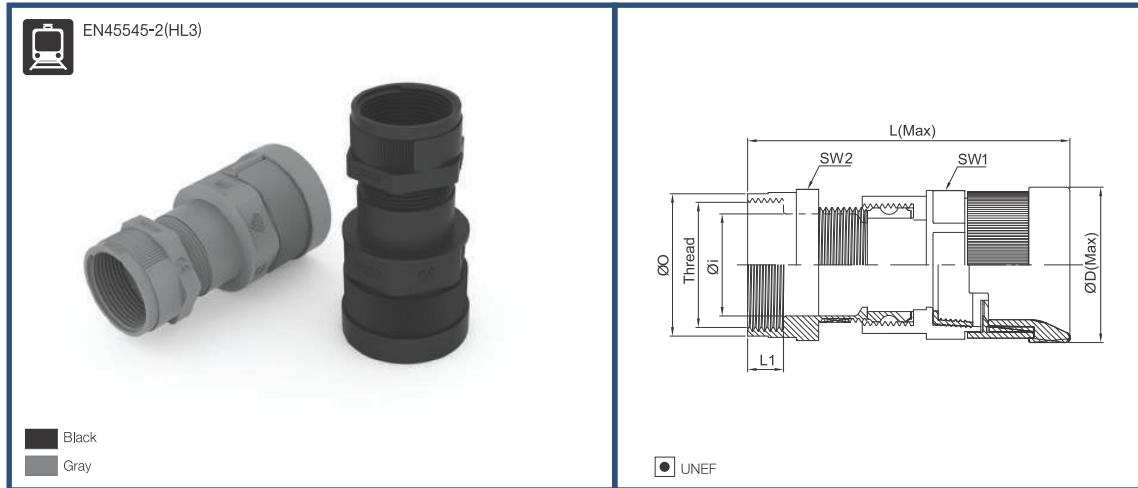


## PICC IP68



- Material : High Quality Polyamide 6
- Degrees of Protection : IP 68 (EN 60529)
- The max, Instantaneous Temperature : -40°C to +105°C
- Short Term : up to +150 °C
- Self-Extinguishing : UL94-HB / Free of Halogen Phosphorous and cadmium
- Color : Black & Gray
- Application : Machine tool, Shipbuilding, Tramway, Industrial / Automatic Machinery, Printing Machine etc, Joint box with connector, Connector to avoid the cutoff of the cable in the machine,

### >> Product size



### UNEF Thread (ASME B1.1)

Black	Gray	Thread	Tube Size	Shell Size	Øi (Min)	Øi (Max)	L1	L	ØO	ØD	SW1	SW2
PICC-U1010B	PICC-U1010G	1/2-28UNEF	10	8S, 10S	3,5	6,5	10,0	74,2	18,4	25,2	20,0	22,6
PICC-U1210B	PICC-U1210G	5/8-24UNEF	10	10SL, 12S	3,5	6,5	10,0	74,2	20,6	25,2	20,0	22,6
PICC-U1410B	PICC-U1410G	3/4-20UNEF	10	14, 14S	3,5	6,5	10,0	74,2	24,0	25,2	20,0	22,6
PICC-U1212B	PICC-U1212G	5/8-24UNEF	12	10SL, 12S	4,0	8,0	10,0	73,1	20,6	27,6	22,4	25,5
PICC-U1412B	PICC-U1412G	3/4-20UNEF	12	14, 14S	4,0	8,0	10,0	73,1	24,0	27,6	22,4	25,5
PICC-U1812B	PICC-U1812G	1-20UNEF	12	18	4,0	8,0	10,0	73,1	31,0	27,6	22,4	25,5
PICC-U1616B	PICC-U1616G	7/8-20UNEF	16	16, 16S	7,0	12,3	10,0	77,3	28,0	33,0	28,0	25,4
PICC-U1816B	PICC-U1816G	1-20UNEF	16	18	7,0	12,3	10,0	77,3	31,0	33,0	28,0	25,4
PICC-U2016B	PICC-U2016G	1 3/16-18UNEF	16	20, 22	7,0	12,3	10,0	77,3	35,5	33,0	28,0	25,4
PICC-U2816B	PICC-U2816G	1 7/16-18UNEF	16	24, 28	7,0	12,3	10,0	77,3	42,0	33,0	28,0	25,4
PICC-U2222B	PICC-U2222G	1 3/16-18UNEF	22	20, 22	12,0	16,0	9,5	90,3	35,5	43,0	36,7	34,0
PICC-U2822B	PICC-U2822G	1 7/16-18UNEF	22	24, 28	12,0	16,0	9,5	90,3	42,0	43,0	36,7	34,0
PICC-U2828B	PICC-U2828G	1 7/16-18UNEF	28	24, 28	18,0	26,0	10,0	97,2	50,0	48,8	42,7	43,4
PICC-U3228B	PICC-U3228G	1 3/4-18UNS	28	32	18,0	26,0	10,0	97,2	50,0	48,8	42,7	43,4
PICC-U3628B	PICC-U3628G	2-18UNS	28	36	18,0	26,0	10,0	97,2	56,5	48,8	42,7	53,0
PICC-U3636B	PICC-U3636G	2-18UNS	36	36	22,0	33,0	10,0	122,0	56,5	60,6	52,0	66,5

(Dimensions in mm)

